



# Dryflow AquaDry

AquaDry Tap dryer

Sink mounted



DFADDM04 - Black  
DFADDM03 - CMP Chrome plated

- 
- Its plug-in back plate design ensures easy install and maintenance, allowing the control box to be exchanged by a non-electrically qualified person.
  - Combines an automatic tap and hand dryer so you can wash and dry your hands at the basin, made from high grade, solid brass.
  - 2 sheets of air are used to wipe the water from your hands into the sink. No dripping on the floor. No extra floor space needed for hand drying and washing.
  - Eco-efficient high speed hand drying.
  - Fitted with a HEPA filter to remove 99.9% of bacteria and viruses from the air.
  - Allowing over basin drying helps to minimise washroom clean up, and prevent slips as it eliminates water spillage on floors.
  - Great for washroom areas with little wall space.
  - A brushless, carbon free motor offers a long service life.
  - An intelligent heating system will detect the ambient temperature of your washroom, it automatically adds heat to the airflow if it senses a room temperature drop below 25°C.
  - Low noise with smart air outlet design - The airflow direction and speed has been carefully configured to ensure that there is no excess splashing or spray created and therefore works with most sinks.
-

## Pre-installation information



### Warning

If the unit is not used as directed or safety guidelines are not followed, this could lead to serious injury.



### Do not use in the following environment

Don't immerse in water  
High light intensity environments



### Do not allow the motor bucket to get wet

This will cause electric shock



### Do not modify and disassemble the unit unnecessarily

This may cause a fire, electric shock, or personal injury



### Use indoors only



### Installation work should be done by a qualified electrician

Incorrect wiring can cause electric shock and fire

### The installation must provide strong support for the unit, ensuring it is securely affixed to the surface

If unit is not secure it may cause injury

### Do not attempt to install the unit with the power on

This may cause electric shock

### Install residual-current circuit breaker

If not installed there is a risk of electric shock

### If the unit doesn't work, turn off the power and the ground - fault circuit breaker

Contact a qualified electrician

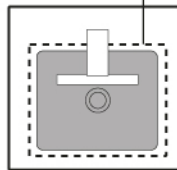
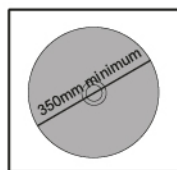
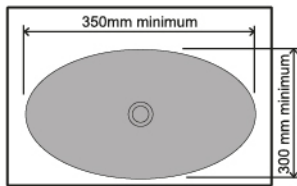
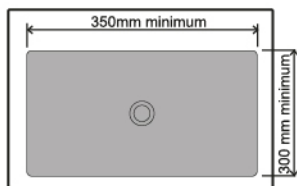
### Before you clean the unit, turn off the power switch.

### If the power supply cord is damaged, it must be replaced by a qualified electrician

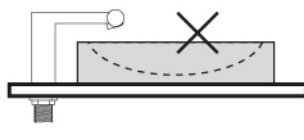
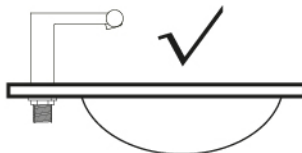
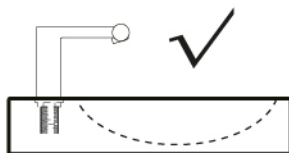
## Sink dimensions

**Size of sink minimum:** 350mm x 300mm

**Internal depth of sink minimum:** 100 mm

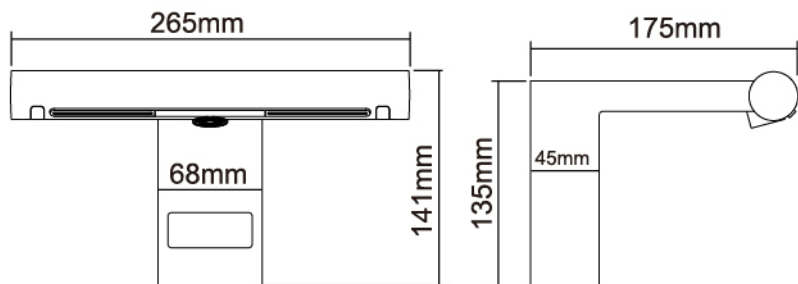


Minimum distance from the wall to the edge of the sink: 80mm



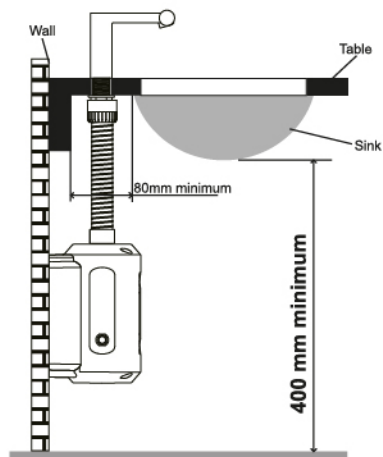
## Technical specifications

Body Material	Chrome Plated Brass
Voltage	220-240V
Frequency	50/60Hz
Total Power	1200W
Motor Type	Digital brushless DC motor
RPM	40000
Electrical Isolation	Class II
Hot & Cold Switch	Automatic
Current	5.5A
Air Speed	212 mph
Dimensions (mm) W x H x D	265x141x175
Filter	HEPA(H13)
Air Temperature (10 cm distance/21°C)	30-60°C
Net Weight	5.8kgs
Noise Level In Db (at 2m)	75
Water Splash Proof	IP24
Auto Cutoff	30s

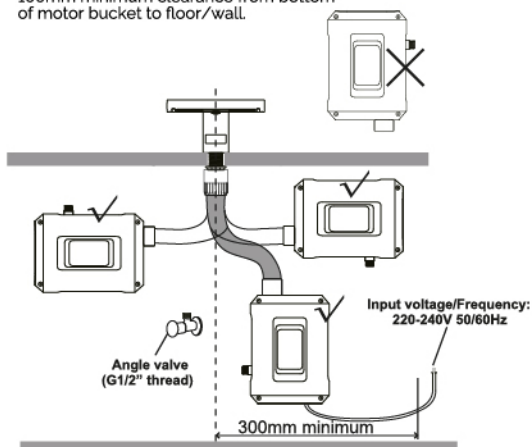


## Pre-installation information: Space under the sink and electrical supply

Make sure the space is enough to install the unit



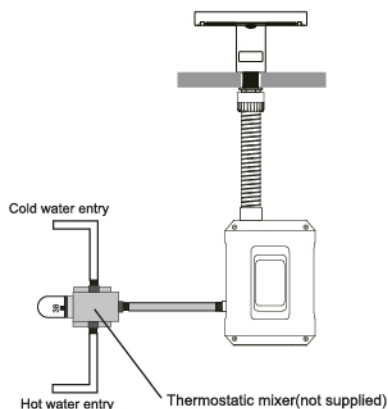
Only the following is advised.  
The motor bucket cannot be mounted upside down.  
The motor bucket cannot be installed above the sink,  
100mm minimum clearance from bottom  
of motor bucket to floor/wall.



**Please note: Local electrical regulations must be adhered to when installing or repairing the product**

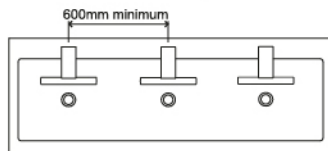
### Water temperature control

If warm water is needed, please install thermostatic mixer.



### Tap mounting

When multiple taps are installed side-by-side, tap centres should be a minimum of 600mm apart.



### Tools required

1. Electric drill (drill bit 8mm)
2. Phillips screwdriver-Long handle
3. Flat head screw driver
4. Spanner

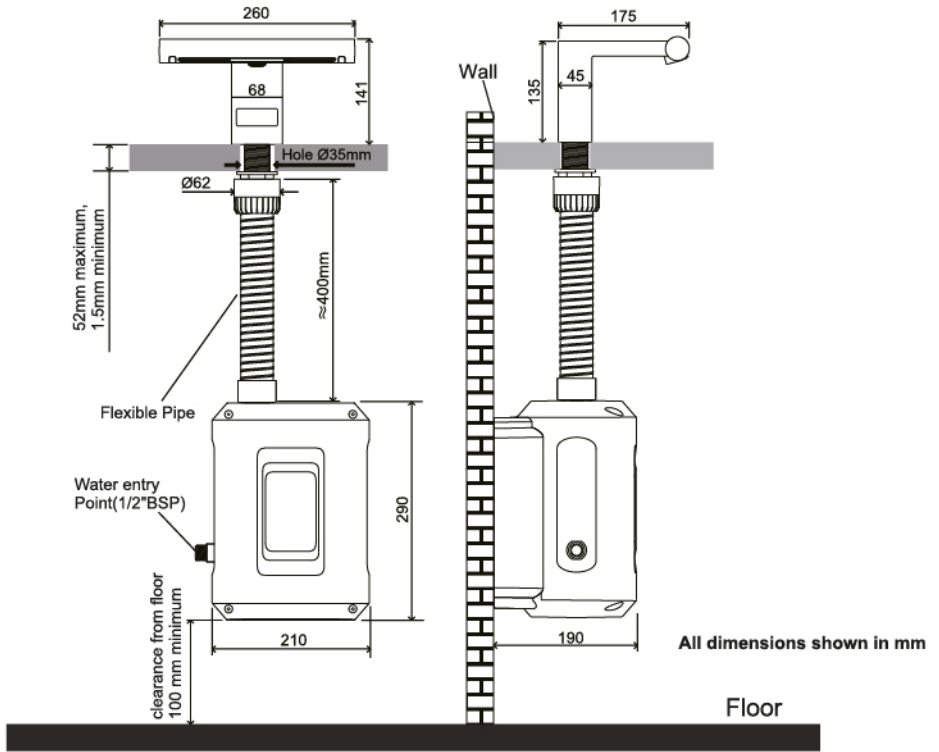


### Spare parts required

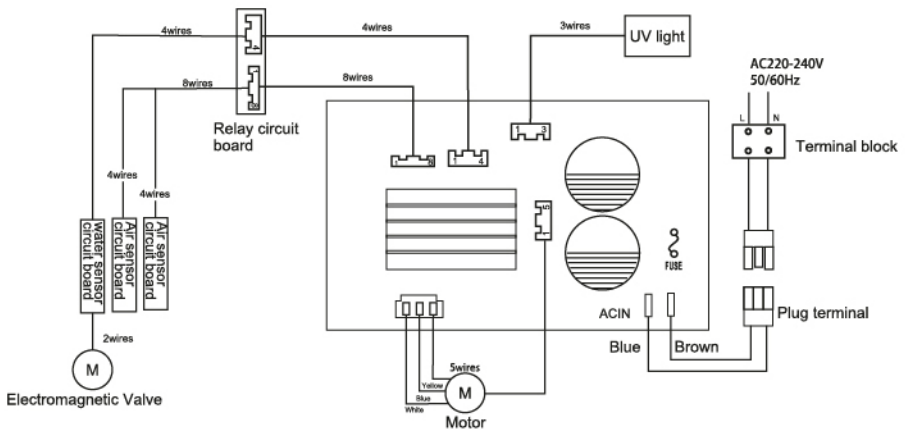
1. Water entry hose (not supplied)



## Product size



## Diagram



## Electrical

Voltage	AC220-240V	Water splash proof	IP24
Frequency	50/60Hz	Insulation class	Class II
Total power	1200W	Motor	Digital brushless DC motor
Air speed	95m/s	Max altitude	2000m
Drying time	10-15s	Heater type	None
Motor auto cut off time	30s	Starting system	Infrared induction
Operating temperature range	0-40°C	Sensing distance	5-12cm (automatic regulation)

## Tap

Mounting	Deck mounted	Inlet connection	G1 / 2"
Operating temperature range	5-65°C	Max water outlet time	60S
Water pressure required	1-8 Bar	Type of tap power	AC circuit

## Materials and other data

Body material	Hpb59-1 Solid brass	Tap surface	Multi-layer plating
Motor bucket cover	ABS	Air outlet material	ABS+PC
Filter material	Glass fibreglass	Filter rating	HEPA(13)
Tap dimensions (mm)	260WX141HX175D	Motor bucket Dimensions (mm)	210W x 290H x 190D
Pipe length	400mm	Opening hole diameter	35mm
Unsuitable sink	Highly polished surfaces (This may cause self-induction )	Min sink depth	100mm

## Installation

### Packing List



Motor bucket

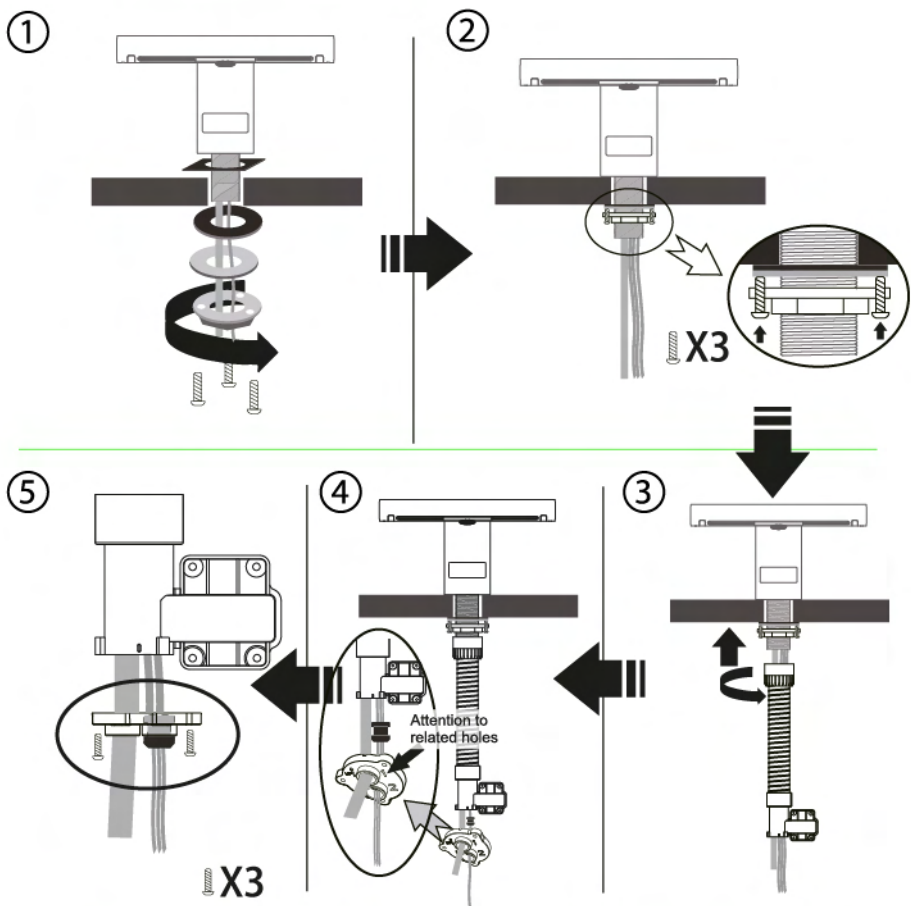


Tap

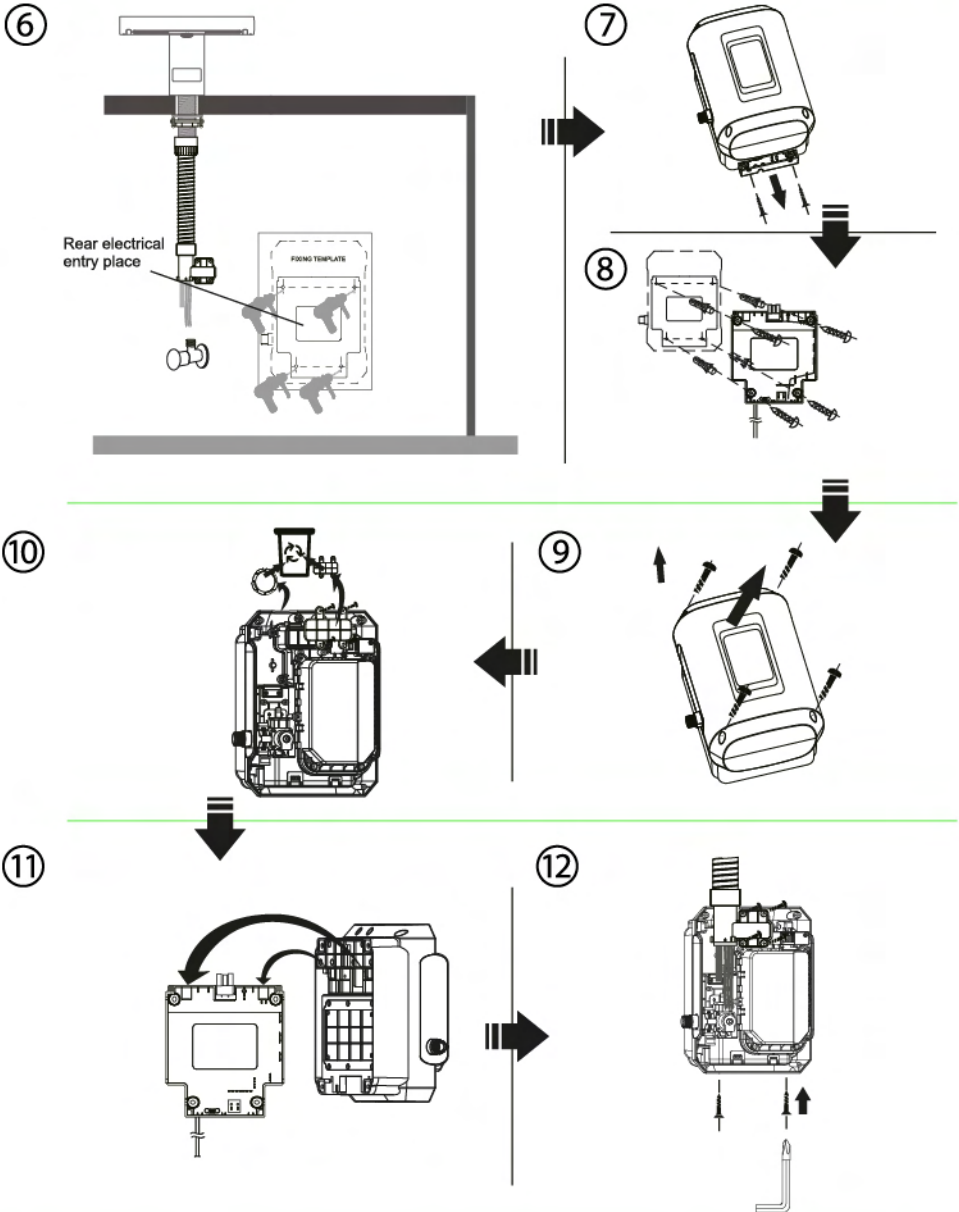


Air pipe

Accessories



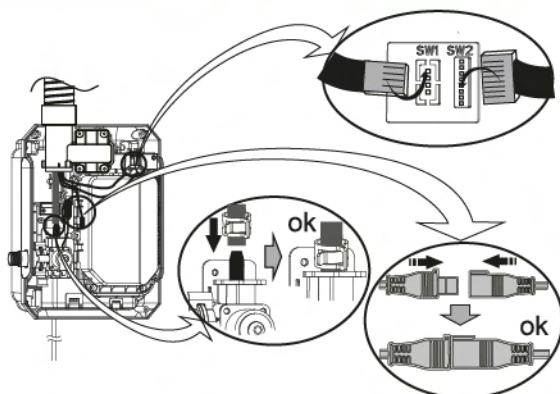
## Installation



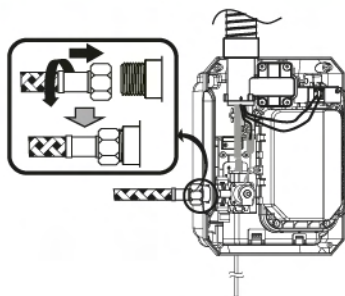


## Installation

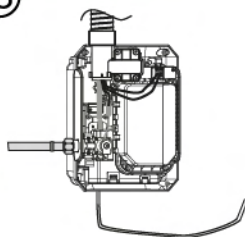
13



14

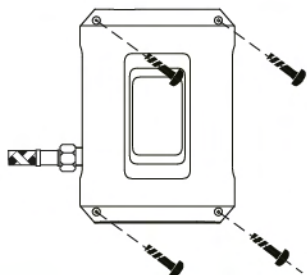


15

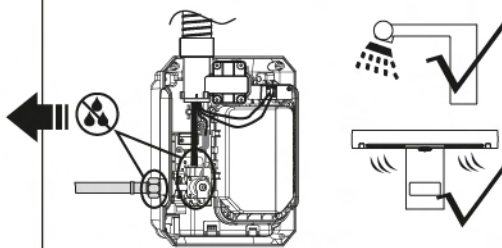


**Please note:** After the current is switched on, wait up to 60 seconds to reset the sensor distance.

17

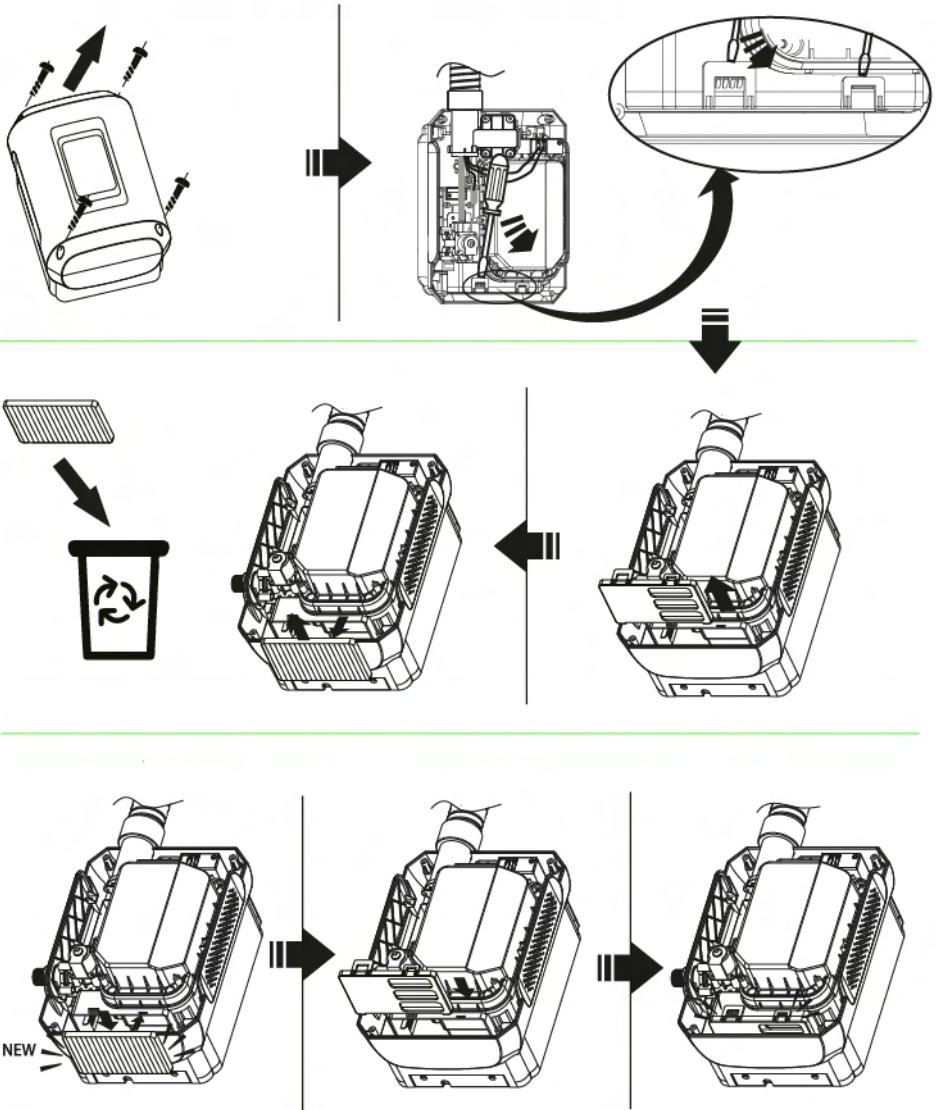


16



## Filter replacement

For optimum usage, we advise replacement of the filter every 6 months.



## Terms of Guarantee

The warranty for this unit is 10 years from the time of purchase.

During its warranty period, a unit can be returned to us and replaced or fixed free of charge, this includes all parts and labour and the cost of returning the unit to you.

Outside the warranty period, we will cover all labour costs, all you will pay for are the parts and transportation.

Parts prices are minimal, and certainly much cheaper than a new dryer. We will always let you know the full cost before you purchase, so you are able to make a fully informed decision.

---

The hand dryer must be installed by an approved electrician in accordance with the manufacturing guidelines and registered online at [www.dryflow.com/register](http://www.dryflow.com/register) within 28 days of completion of the works, any failure to do this will result in a void of guarantee.

This warranty is in addition to and supplements your statutory rights and those rights are not affected in any way. If you do not register for the extended warranty within 28 days then the standard warranty will apply.

### What's Covered?

Dryflow guarantees that our hand dryers are free from defects at the time of purchase. For this Lifetime Guarantee to apply you must follow the care and use instructions provided with your product.

### What's Not Covered?

This guarantee does not cover damage caused by water damage, accident, misuse, abuse or damage beyond fair wear and tear.

### Who's Covered?

The original purchaser of the product is covered by this guarantee. Cover will cease should the product be sold or otherwise transferred to any other user.

